









# Trailmaster Mini XRX+ (Plus) Parts Manual

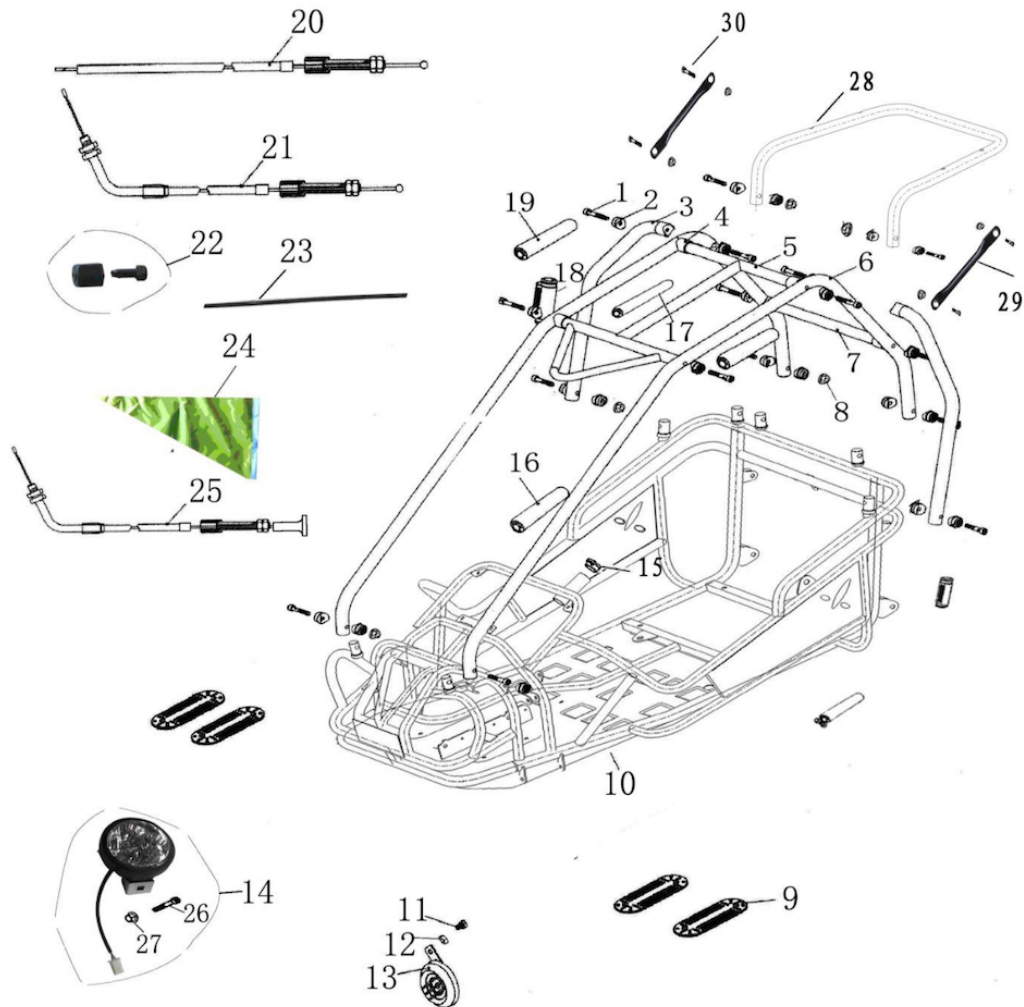
Most Common Parts

<p><a href="#">Key Switch</a></p>	<p>6.000.165</p>	
<p><a href="#">Air Filter</a></p>	<p>ZJ168FJH.07.01.01</p>	
<p><a href="#">Upper Chain</a></p> <p>420 gauge</p>	<p>14-1103-00</p>	
<p><a href="#">Lower Chain</a></p> <p>Does NOT fit models with reverse</p>	<p>9.070.004</p>	
<p><a href="#">Spark Plug</a></p>	<p>QJ1E50FMG.1.2</p>	

		
<a href="#">13 Tooth Sprocket</a>	008-13-06B	
<a href="#">Headlight Kit</a>		

# Frame Parts

Fig 12 FRAME GROUP



[1- Frame Bolt](#)

[2- Cupped Washer](#)

3- Custom J Bar- Driver's Side/Left

[4- Plastic Bar Cap Spacer](#)

5- Custom Cross Bar/ I-Bar

6- Main Roll Cage Bar

7- Rear Cross Bar

[8- Frame Bolt Nut](#)

[9- Rubber Foot Pads-Small](#)

10- Trailmaster Main Frame Base

11- Bolt M8x16mm

12- M8 Nut

[13- Horn \(Requires 2 per kart\).](#)

[14- Headlight](#)

[15- Steering Shaft Bushing-nylon](#)

[16- Foam Padding 22](#)

[17- Foam Padding](#)

18- Bar Covers (over foam)

[19- Foam Padding 30](#)

[20- Throttle Cable](#)

[21- Brake Cable](#)

22-24 Flag pole

[25- Choke Cable](#)

26- M6x16mm bolt

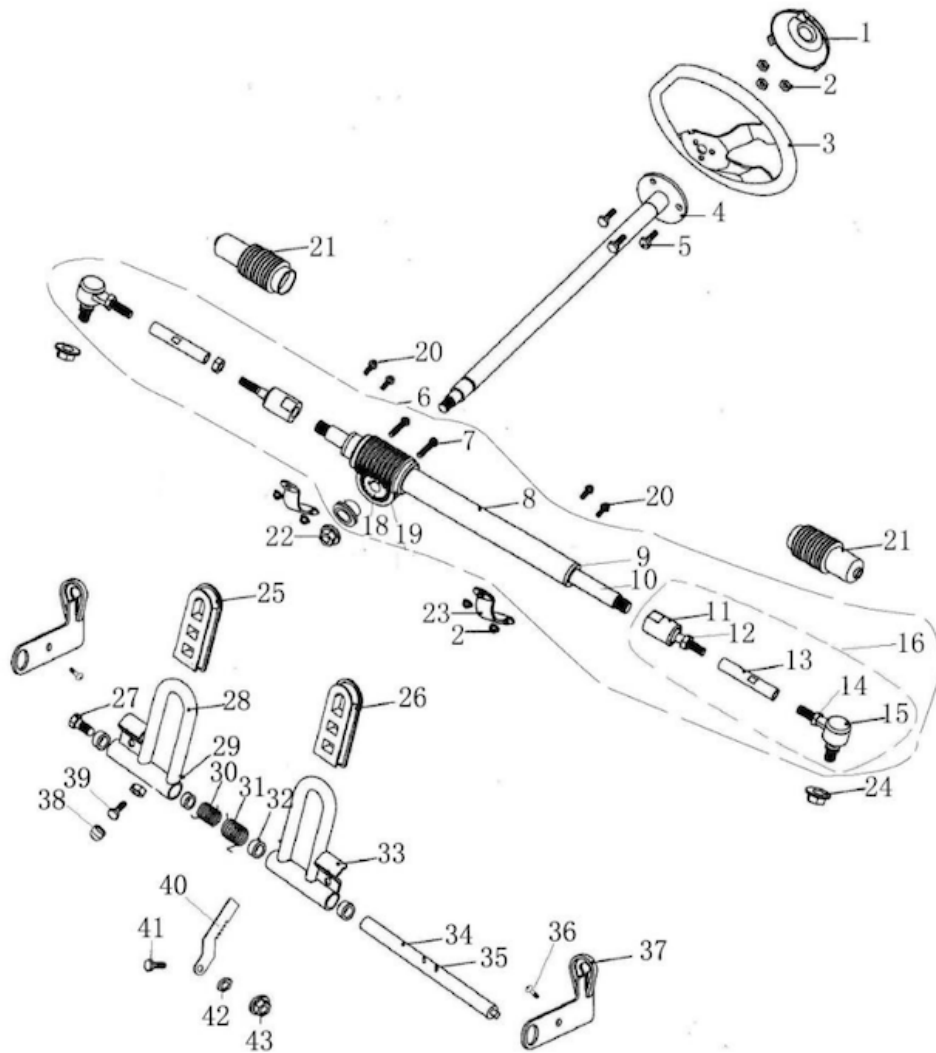
27- M6 nut

28- Rear Frame Rack

29-Rear Frame Rack Support Bar

30-M8x16mm Bolt

## **Steering Components**



1- [Steering Wheel cover](#)

2- Steering Wheel Bolt Nuts

3- [Steering Wheel](#)

4- Steering Shaft

5- Steering Wheel Bolts

6- [Steering Gear Assembly](#)

7-10 Steering Gear components

11- [Ball Joint](#)

12- Ball Joint Nut

13- [Tie Rod](#)

- 14- Rod End Nut
- 15- [Tie Rod End](#)
- 16- [Tie Rod Assembly](#)
- 18-[Steering Gear](#)
- 19- [Steering Joint](#)
- 20- M6 x 20mm Bolt
- 21- [Steering Boot](#)
- 22- M10 Lock Nut
- 23- Steering Gear Bracket
- 24- M8 Nut
- 25- Throttle Pedal Pad
- 26- Brake Pedal Pad
- 27- M8x16mm Bolt
- 28- Throttle Pedal
- 29- Roll Pin
- 30-[Throttle Pedal Return Spring](#)
- 31- [Brake Pedal Return Springs](#)
- 32- Pedal Bushing
- 33- Brake Pedal
- 34- Pedal Bolt
- 35- Roll Pin
- 36- M5x12mm
- 37- Bracket
- 38- [Rubber Stopper](#)
- 39- [Governor Bolt](#)

40- [Parking Brake Latch](#)

41- M6 x 20mm

42- M6 washer

43- M6 nut